

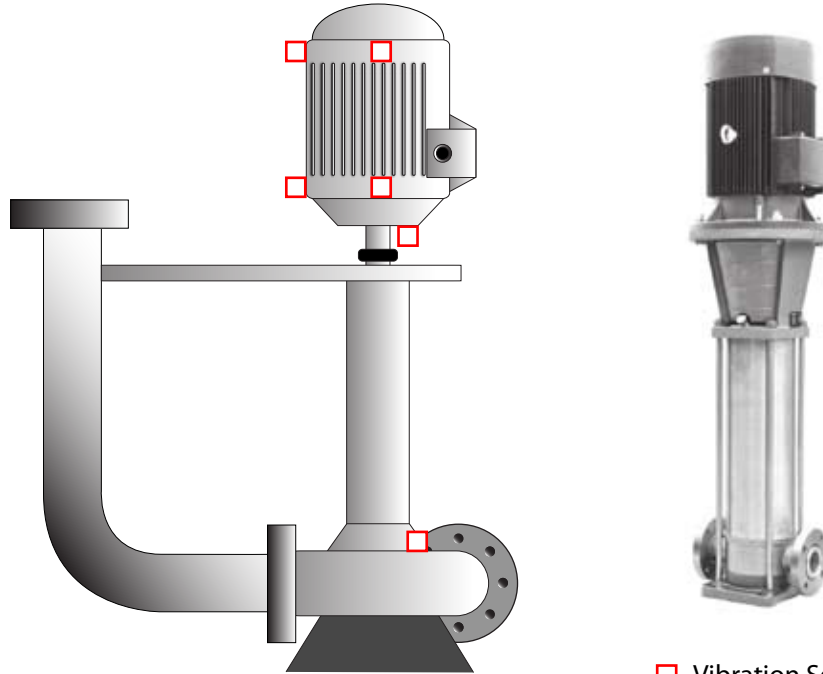
We Make It Easy...



**Delta-3N Kft.**  
 7030 Paks, Jedlik Á. u. 2  
 Tel.: +36 75 510 115  
 Fax: +36 75 510 114  
 dmagyi@delta3n.hu  
 www.delta3n.hu

# CTC Power Pack

## Vibration Analysis Hardware for Vertical Pumps



Vertical Pump

□ -Vibration Sensors

Quantity	Part Number	Description
	AC192-1A	Compact Accelerometer, Top Exit, 100 mV/g
	AC194-1A	Compact Accelerometer, Side Exit, 100 mV/g
	CB102-A2A-030-Z	Twisted, shielded pair cable, red Teflon® Jacket, 30 ft. *
	SSB1000-6C	6 Channel Modular Switch Box

\*30 feet (9.1 meters) is average length.  
 The actual length you need may vary.

### Recommended System

Accelerometers

Cable

Switch Box



CONNECTION TECHNOLOGY CENTER, INC.